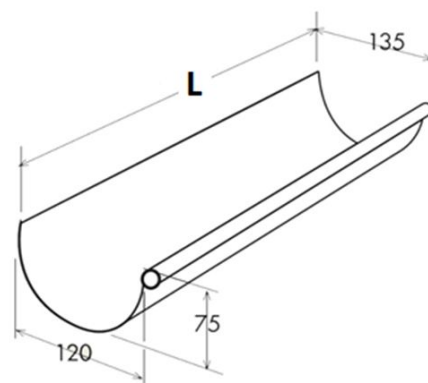
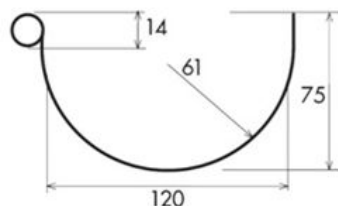


Gutter profile ø 125



GRN125M



Item	Colour	Length mm	Gutter section area cm ²	Max water flow rate l/s	Compliance IIP UNI EN 607:2005
GRN125B	white	4000	55,6	1,19	✓
GRN125B2	white	2000	55,6	1,19	✓
GRN125B3	white	3000	55,6	1,19	✓
GRN125M	brown	4000	55,6	1,19	✓
GRN125M2	brown	2000	55,6	1,19	✓
GRN125N	grey	4000	55,6	1,19	
GRN125N2	grey	2000	55,6	1,19	
GRN125S	sand	4000	55,6	1,19	
GRN125S2	sand	2000	55,6	1,19	

Material: PVC-U

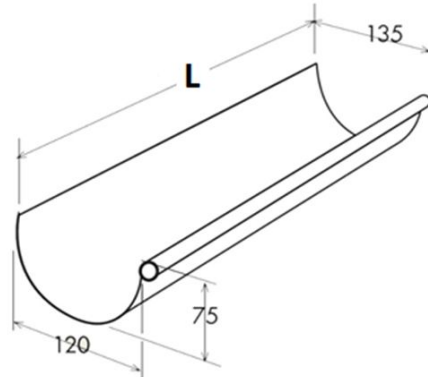
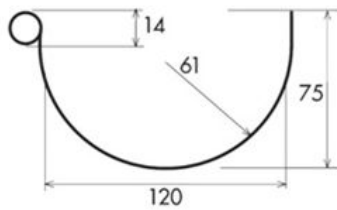
Features: Gutter extruded with a high performance production system.



Gutter profile ø 125 COEX INNOVATION



COEX[®]
INNOVATION



Item	Colour	Length mm	Gutter section area cm ²	Max water flow rate l/s
GRN125AN	anthracite	4000	55,6	1,19
GRN125AN2	anthracite	2000	55,6	1,19
GRN125BC	white	4000	55,6	1,19
GRN125BC2	white	2000	55,6	1,19
GRN125MC	brown	4000	55,6	1,19
GRN125MC2	brown	2000	55,6	1,19
GRN125MC3	brown	3000	55,6	1,19
GRNO125C	red brown	4000	55,6	1,19
GRNO125C2	red brown	2000	55,6	1,19

Material: PVC-U + Technopolymers

Features: Gutter composed of two co-extruded layers: PVC inside and mix of various polymers outside. This structure gives the external surface a metallic shine, resistance to UV rays and colour retention over time ($\Delta E < 5$ after 5000 hour xenotest exposure).

